



SREE VIDYANIKETHAN ENGINEERING COLLEGE
(AUTONOMOUS)

Sree Sainath Nagar, A. Rangampet, Tirupati - 517 102.

ADD-ON COURSE
on

CATIA by using 3D Experience Platform

14th - 20th May - 2021

Organized by
DEPARTMENT OF MECHANICAL ENGINEERING

Resource Person
Dr. K.C. Varapasad
Professor & Head
Dept. of ME, SVEC

Target Group
II, III and IV B.Tech (ME) students

Venue
Dassault Systems Lab (Beside CSE Dept HOD Room)

Timings
9:00 - 12:00 PM


Dr. K.C. VARAPRASAD
Professor & Head
Dept. of Mechanical Engineering
Sree Vidyanikethan Engineering College
TIRUPATI - 517 102

One Week Add On Course on
“CATIA by Using 3D Experience Platform”

What is 3D Experience?

To enhance the employability skill for engineering graduates in research and development technology implementation by imparting their skills in Engineering design in “3D Experience Platform throughout their academic program”. Students to implement their innovative thoughts on 3D Experience Platform for product development. Also to improve students confidence levels by working in domain such as Aerospace, Automotive and Marine and Offshore. This 3D experience Platform provides 3D Modelling, Simulation, Information intelligence & Social collaborative Apps.

Introduction to CATIA

CATIA is also known as Computer Aided Three Dimensional Interactive Application. CATIA was started in 1977 by French Aircraft Manufacturer “Avions Marcel Dassault Systems”. CATIA is a platform to design, sketch, surfacing, drafting and assembling of the components. The platform has a wide variety of workbenches. The designed models can be exported to different other software like Solid works, Creo, Unigraphics and .STL for 3D printing. It is also used in Aerospace, Automotive and Marine and Offshore.

Objective of the Add – On Course

The main objective of this course is to make the aspiring engineers acquainted with the conceptual as well as practical knowledge on CATIA 3D Experience. The idea of organizing this course is to inculcate the basic fundamentals of 3D Designed Models in the students and provide them with a 3D Experience platform to work on, in the near future.

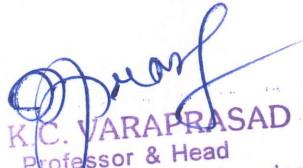
Add-On Course Contents

During this course along with the Design concepts of models, students will also go for hands on training designs.

Module 1: SKETCHER

Sketcher application provides work space to draw the sketches by using the following tools

- Profile tool bar
- Operations tool bar
- Constraint tool bar



Dr. K.C. VARAPRASAD
Professor & Head
Dept. of Mechanical Engineering
Sree Vidyanikethan Engineering College
Tirupati - 517102

Module2: PART DESIGN

The Part Design application is used to create solid models of Parts. Solid parts are usually created from 2D profiles that are extruded or revolved to form a base feature. Parts can be modified by selecting their features in the specification tree.

- Sketch based features
- Dress-up features
- Transformation features

Module -3: ASSEMBLY DESIGN

The Assembly Design allows creating a product model from a number of separate parts. The parts in a product assembly are not joined together, but assembled as they would be in a physical assembly. Constraints can be applied between the parts in assembly to define relationships between them.

- Constraints tool bar
- Product structure tools

Module -4: Wire Frame and Surface Design

The Wire Frame and Surface Design module the surfaces can be drawing with zero size and weight has its uses in the Aerospace, Automotive and Marine and Offshore.

- Surface tool bar
- Operations tool bar
- Transformations tool bar

Resource Person : Dr. K.C.Varaprasad, Professor & Head, Dept. of ME, SVEC

Venue : ZOOM MEETING

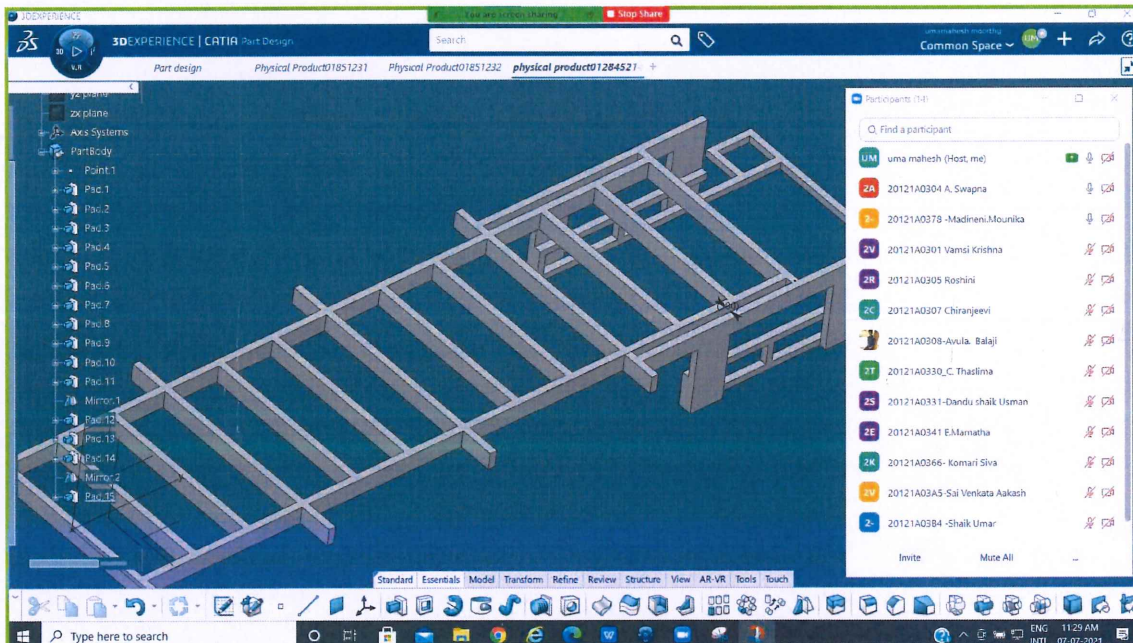
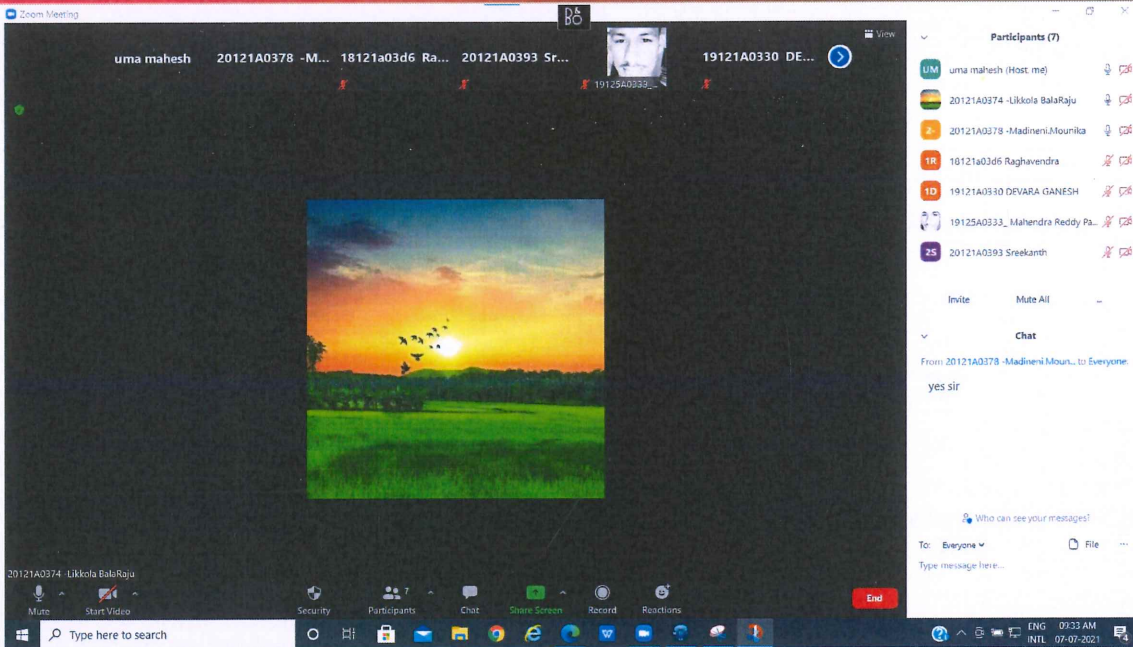
Target Group : II, III & IV B.Tech students

Duration of the program : 40 Hours, 2 Hours/day

A total of 226 students from II, III, IV B.Tech of Mechanical Engineering have participated in the Course. Mr. A. Venkatesh, Assistant Professor organized this course under the guidance of Dr. K. C. Vara Prasad, Professor and Head, Department of Mechanical Engineering.

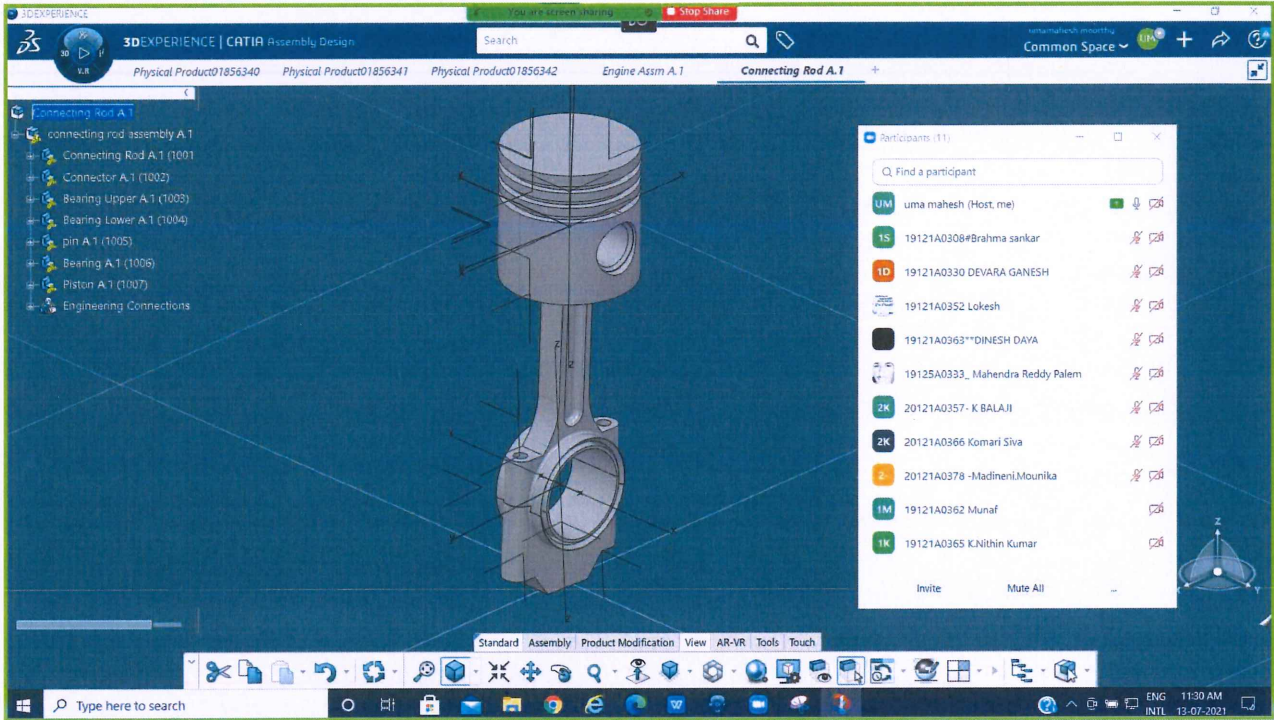


Dr. K.C. VARAPRASAD
Professor & Head
Dept. of Mechanical Engineering
Sree Vidyanikethan Engineering College
TIRUPATI - 517 102

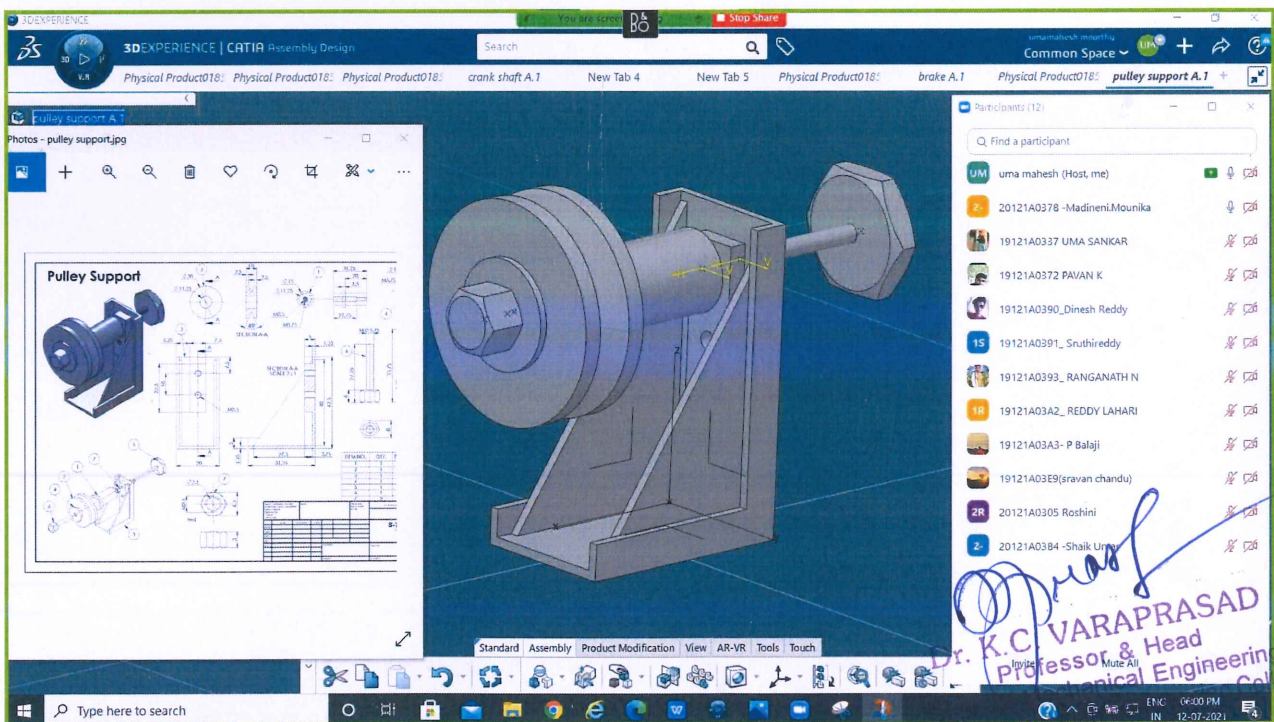


DESIGN OF CHASSIS BY USING 3D EXPERIENCE PLATFORM

Dr. K.C. Varaprasad
Dr. K.C. VARAPRASAD
Professor & Head
Dept. of Mechanical Engineering
Sree Vidyanikethan Engineering College
TIRUPATI - 517 102



DESIGN OF CONNECTING ROD BY USING 3D EXPERIENCE PLATFORM

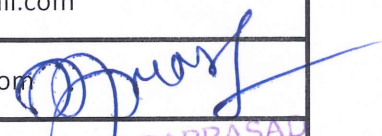


DESIGN OF PULLEY SUPPORT BY USING 3D EXPERIENCE PLATFORM

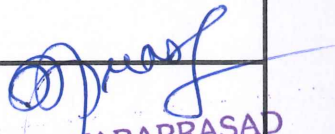
**One Week Add On Course on
"CATIA by Using 3D Experience Platform"**

Students Attended

Sl No.	Student Name	Roll No.	Email ID
1	SAI UMA MAHESH	17121A0319	cmsaiumamahesh@gmail.com
2	CHEVIREDDY SAISATHVIK REDDY	17121A0320	saisathvikreddy29@gmail.com
3	SHAIK SHAAHABAAZ	17121A03C8	shanshaahabaaaz786@gmail.com
4	VELPULA SANDHYA	17121A03E7	velpulasanju950@gmail.com
5	T. SAI PRAKASH	17121A0356	saiprakash6180@gmail.com
6	A BHARATH KUMAR	18121A0301	bharath24102000@gmail.com
7	A DILLI BABU	18121A0302	dilliprakaadb2000@gmail.com
8	A GOWTHAM	18121A0303	akaym1gowtham@gmail.com
9	ANGAJALA VAMSI	18121A0307	vamsi114920@gmail.com
10	NANDIVARDHAN BANDARU	18121A0310	nandivardhanroyal@gmail.com
11	B. SIVAKRISHNA	18121a0311	bandisivakrishna6@gmail.com
12	BASIREDDY KOWSHIK REDDY	18121a0314	satyareddy292@gmail.com
13	BHONAGIRI VANDANA	18121a0318	vandanabhonagiri1@gmail.com
14	BOLIGADDA UDAYKIRAN	18121A0320	udaykiran227727@gmail.com
15	BONAGA UDAY KUMAR	18121A0321	Udaybonaga22@gmail.com
16	CHAKALI ARUNKUMAR	18121A0324	arun82973@gmail.com
17	CHAKALI SHIVA KUMAR	18121A0325	friendlyshivakumar@gmail.com
18	C. SREE CHARAN	18121A0326	charansugith840@gmail.com
19	CHELLURI SATISH KUMAR	18121A0327	Satishrobotics123@gmail.com
20	KARTHIK CHILAKAPATI	18121A0328	karthik.csk145@gmail.com
21	CHITTA.DEEKSHITH	18121a0330	Chitta.Deekshith@gmail.com
22	D KIRAN ADITYA PAVAN KALYAN	18121A0332	deevikiran@gmail.com


Dr. C. VARAPRASAD
 Professor & Head
 Dept. of Mechanical Engineering
 Sree Vidyanikethan Engineering College
 TIRUPATI - 517 102

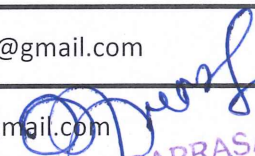
Sl No.	Student Name	Roll No.	Email ID
23	DAMERLA ABHINAYA	18121A0333	abhinayadamerla136@gmail.com
24	DANDU RAHUL	18121A0334	danduprakash5678@gmail.com
25	DANDUBOYINA JAGAN MANIKANTA	18121a0335	jaganmanikanta.d01@gmail.com
26	CHARAN MADHAV REDDY DEVIREDDY	18121A0337	devireddy.charanreddy@gmail.com
27	D. PRANEETH	18121A0338	donthupraneeth@gmail.com
28	DUDEKULA REHAMAN	18121a0339	dudekularehaman786@gmail.com
29	NITISH RAGHAVENDRA GANGAPURAM	18121A0342	nitishraghavendra1546@gmail.com
30	G OMPRAKASH GUPTA	18121a0343	omprakashgowri@gmail.com
31	JASWANTH REDDY GANAPATHIREDDY	18121A0346	jaswanthreddyganapathireddy@gmail.com
32	GONAVARAM SAI MAHESH	18121a0349	maheshsaigonavaram@gmail.com
33	GONGAL REDDY PRASHANTH REDDY	18121a0350	prashanthreddy63027@gmail.com
34	GOOTY FAREED BASHA	18121A0351	fareedgooty786@gmail.com
35	GOSALA SARAYU	18121A0352	sarayuramesh777@gmail.com
36	JINKA HEMAVATHI	18121a0357	jinkahemavathi9@gmail.com
37	K.SAI AJAY	18121A0360	kajaysai545@gmail.com
38	HARISH KUMAR REDDY	18121A0362	Harishkadapa798@gmail.com
39	KAKARLA BYREDDY SARATH CHANDRA REDDY	18121a0363	sarathchandrareddy363@gmail.com
40	KALLAMADI VAMSI KRISHNA	18121a0364	kvamsik90@gmail.com
41	KAMMARI VIJAY KUMAR	18121A0365	luckyvijay9010@gmail.com
42	KASETTI NAGENDRAVARAPRASAD	18121A0367	nvpkasetti@gmail.com
43	KASETTI NAGENDRAVARAPRASAD	18121a0367	nvpkasetti@gmail.com
44	KIMMAVATH GNANESWAR NAIK	18121a0369	gnaninayak927@gmail.com
45	KOLLA HARSHA VARDHAN	18121a0371	vharsha101@gmail.com
46	K. KEERTHANA	18121A0373	kkeerthana.ram@gmail.com


Dr. K.C. VARAPRASAD
 Professor & Head
 Dept. of Mechanical Engineering
 Sree Vidyanikethan Engineering College
 TIRUPATI - 517 102

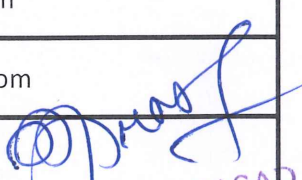
Sl No.	Student Name	Roll No.	Email ID
47	MEDEPATI REVANTH REDDY	18121a0382	revanthr64@gmail.com
48	M.JAGADISHWAR REDDY	18121A0384	jagadishwarjaggus7086@gmail.com
49	MURAKAMBATTU VINAY	18121A0386	murakambattuvinay27@gmail.com
50	MUTHUKURU.ROSHAN SAI	18121A0387	sairoshan50@gmail.com
51	MUTRA POOJESHREDDY	18121A0388	poojeshmpr@gmail.com
52	N.SUJITH KUMAR	18121a0390	sujithkumar0410@gmail.com
53	NARRA JASWANTH	18121A0394	jaswanthnarra01@gmail.com
54	NATAM BINDHU KRISHNA	18121A0395	Natamkrishna2001@gmail.com
55	NULETI.DAYAKAR	18121a0396	ndayakar632@gmail.com
56	CHARAN SAI NUTHANAPATI	18121a0397	ncharan469@gmail.com
57	P.JESHWANTH	18121A03A1	puttur.jeshwanth@gmail.com
58	P V GOWTHAM REDDY	18121a03a2	gowthamramana111@gmail.com
59	P VINODH KUMAR	18121A03A3	vinodhp2000@gmail.com
60	PADHARTHI KIRAN SAI	18121A03A4	kiran176sai@gmail.com
61	PANCHANGAM SREEHARSHA	18121A03A5	sreeharsha111111@gmail.com
62	PAPPIREDDY DHANUNJAYAREDDY	18121a03a6	dhanunjayareddy3a6@gmail.com
63	PARNA NARESH BABU	18121A03A7	revanthroyal04@gmail.com
64	PEDDAMALLU LOKESWARA REDDY	18121A03A9	lokeshreddypeddamallu@gmail.com
65	PEETLA. BALAJI	18121A03B0	balajipeetla545@gmail.com
66	PODURI SRI KRISHNA DATTA MANIKYALARAO	18121A03B1	poduri.sai333@gmail.com
67	POREDDY NEERAJA	18121a03b5	poreddyneeraja123@gmail.com
68	PULI JAGADEESH	18121A03B8	jagadeeshpuli910@gmail.com
69	PULIKAL MANOHAR	18121A03B9	Manumanohar69394@gmail.com
70	R SRI SAI TARUN	18121a03c0	tarunraavi15@gmail.com


Dr. K.C. VARAPRASAD
 Professor & Head
 Dept. of Mechanical Engineering
 Sree Vidyanikethan Engineering College
 TIRUPATI - 517 102

Sl No.	Student Name	Roll No.	Email ID
71	S ROOPESH KUMAR	18121A03C2	roopeshs2001@gmail.com
72	SAMUDRALA PURNA SAI	18121A03C3	purnasaisamudrala123@gmail.com
73	SHAIK JAVID	18121A03C7	shaikjavid1206@gmail.com
74	SIRASATI VAMSI	18121A03C9	sirasativamsi09@gmail.com
75	SUBBISETTY KRISHNA KANTH	18121a03d2	krishnakanthsubbisetty@gmail.com
76	SYED. SHAHID	18121a03d3	shahidsyed13541@gmail.com
77	TALARI NANDAKISHORE	18121a03d4	talarinanda1729@gmail.com
78	THAKKASILA SARAN KUMAR REDDY	18121a03d5	rsaranreddy@gmail.com
79	RAGHAVENDRA THEERTHALA	18121a03d6	raghavendra.theerthala@gmail.com
80	THIRIVEEDHI VARUN KUMAR	18121a03d7	varundora81@gmail.com
81	THUMMA NAVEEN KUMAR	18121A03D8	Naveen2000chg89@gmail.com
82	V.S.PUNEETH	18121a03d9	puneethvs058@gmail.com
83	V SREEDHAR	18121A03E0	vsreedhar45586@gmail.com
84	VALLURU THEJA KIRAN	18121A03E2	valluruteja2000@gmail.com
85	VAYYAVURU SHIVA PRASAD RAO	18121a03e3	shivaprasad5651@gmail.com
86	VENNAPUSA DEVENDRA VENKATA SAI RAM REDDY	18121a03e5	devendravennapusa@gmail.com
87	V HARSHA VARDHAN	18121A03E7	harsha18121a03e7@gmail.com
88	VOOKA ELLORA	18121A03E8	vookaellora52@gmail.com
89	YADAM BHANU KUMAR	18121a03e9	bhanukumaryadam12@gmail.com
90	YENUMULA NAGARJUNA REDDY	18121a03f1	1nag2mail@gmail.com
91	GAURAV RAJ BASNETH	18121A03F3	raj.gaurav118@gmail.com
92	PRAMODH KUMAR	18121A03F5	pramod.k18@gmail.com
93	BATHALA VAMSI KRISHNA	18125A0303	vamsikrishna102030@gmail.com
94	CHAKALI MADHUSUDHAN	18125A0306	cmadhusudhan80@gmail.com


Dr. K.C. VARAPRASAD
 Professor & Head
 Dept. of Mechanical Engineering
 Sree Vidyanikethan Engineering College
 TIRUPATI - 517 102

SI No.	Student Name	Roll No.	Email ID
95	LALAM SAI DHANUSH	18125A0323	saidhanush.lalam@gmail.com
96	MADISSETTY PRAVEEN	18125A0327	madisettypraveen1@gmail.com
97	NAGIRI RAJMAHESH	18125A0332	rajmahesh509@gmail.com
98	P.PAVAN KALYAN	18125a0334	pathipavan123@gmail.com
99	AERURU SAICHARAN	19121A0302	cherrymadecharan@gmail.com
100	B.PAVANKUMAR	19121A0309	pavanbalije13@gmail.com
101	B.PAVAN KUMAR REDDY	19121a0313	pavankumarreddy122002@gmail.com
102	B KALYAN BABU	19121A0315	kalyanbollavaram2030@gmail.com
103	C MURALIDHAR	19121A0319	muralimuralidhar23224@gmail.com
104	C.SUDHARSAN REDDY	19121A0322	chennupallisudharshan@gmail.com
105	CHINTA GANESH	19121A0323	Chintaganesh12@gmail.com
106	CHINTHA.DIVYA SREE	19121A0325	divyareddychintha@gmail.com
107	DASARI.LOKESH	19121A0327	lokeshdasari0139@gmail.com
108	DEVARA GANESH	19121A0330	devaraganesh999@gmail.com
109	DEVIREDDY GURU KARTHIK REDDY	19121A0331	devireddygurukarthik123@gmail.com
110	D.SRINIVAS	19121a0332	srinivasdammala09@gmail.com
111	D. RAJESH	19121A0333	drajesh3966@gmail.com
112	DURBHAKA LAKSHMI NARASIMHA	19121A0336	ps3618928@gmail.com
113	EEDIGA UMASANKAR	19121A0337	edigaumasankar1234@gmail.com
114	G.MAHESWAR REDDY	19121a0339	maheswarmahi2001@gmail.com
115	GANDIKOTA AJAY	19121A0341	gandikotaajay5@gmail.com
116	GIDDALURI MARUTHI	19121a0342	giddalurimaruthi@gmail.com
117	GOLLA TEJA	19121A0344	gollateja143@gmail.com
118	GOLLA VENKATA SUNIL KUMAR	19121A0345	g.sunilkumar8537@gmail.com


C. VARAPPASAD
 Professor & Head
 Dept. of Mechanical Engineering
 Sree Vidyanikethan Engineering College
 TIRUPATI - 517 102

Sl No.	Student Name	Roll No.	Email ID
119	K ESWAR	19121A0354	eswar.svne@gmail.com
120	K VAMSI	19121A0355	karnamvamsi8@gmail.com
121	SAI RAKESH .K	19121A0357	sairakeshkakiveyi@gmail.com
122	KARRI JYOTHI KIRAN	19121A0358	jyothikirankarri02@gmail.com
123	K MUNAF	19121A0362	msk240093@gmail.com
124	KONCHADA NITHIN KUMAR	19121A0365	Konchadanithinkumar787@gmail.com
125	KONDURU DILLIBABU	19121A0366	kondurudillibabu345@gmail.com
126	KV SANDEEP	19121A0367	kvsandeep860@gmail.com
127	KUMMARI NARENDRA	19121a0370	narendrakummar9@gmail.com
128	KURUBA PAVAN	19121A0372	kurubapavangtl@gmail.com
129	KURUBA PAVANKUMAR	19121A0373	kurubapavan2002@gmail.com
130	L BAIRESWAR REDDY	19121A0374	baireswar18@gmail.com
131	M SAI GANESH	19121A0375	gunnysai146@gmail.com
132	GOWTHAM VYAS	19121A0378	gowtham.malkari24@gmail.com
133	M. VEERENDRA	19121A0380	Veerendra9390@gmail.com
134	METI NIZAMUDDIN	19121A0385	meti.shaik@gmail.com
135	MODAMPURI RANGA SAI RAJU	19121A0386	rangasairaju@gmail.com
136	MODIBOYANA NITHIN	19121A0387	nithinmodiboyana@gmail.com
137	NAGELLA SAI SRUTHI	19121A0391	nagellasaisruthi@gmail.com
138	N.RANGANATH	19121A0393	ranganathnallabothula123@gmail.com
139	NELAVALA BHUPATHIBABU	19121A0395	nelavalabhupathi@gmail.com
140	NELAVALA SAI	19121A0396	nelavalasai@gmail.com
141	NELLURI KULADEEP	19121A0397	ndeepu100@gmail.com
142	NIMBAGAL KORI SAI MAHANTESH	19121A0398	saimahanteshnimbagalkori@gmail.com


Dr. K.C. VARAPRASAD
 Professor & Head
 Dept. of Mechanical Engineering
 Sree Vidyanikethan Engineering College
 TIRUPATI - 517 102

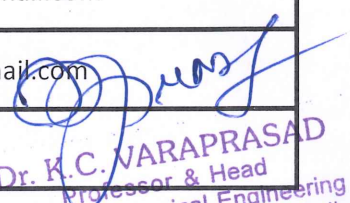
Sl No.	Student Name	Roll No.	Email ID
143	PALLA REDDY LAHARI	19121A03A2	prlahari2001@gmail.com
144	PANAPAKAM BALAJI	19121A03A3	balajibalubuddy766@gmail.com
145	PANDLA PRAVEEN KUMAR	19121A03A4	pandlapraveen15@gmail.com
146	PITTISUNILKUMAR	19121A03A8	pittisunilkumar3@gmail.com
147	P SAI VENKATA SUMANTH	19121A03B0	saivenkatasumanth1987p@gmail.com
148	PULI RAVI TEJA	19121A03B3	puliravi010@gmail.com
149	R.UDAYKIRAN	19121A03B5	udaykiranrayala@gmail.com
150	RAAVI HANEESHSAI	19121A03B7	raavihaneesh@gmail.com
151	R. VARUNRAJ	19121A03C1	varunrajchinnu@gmail.com
152	CHAITANYA	19121A03C3	Chaitumanichaitu1234@gmail.com
153	SHAIK BAVIGADDA VALI	19121A03C7	vali.sb786@gmail.com
154	SHAIK MULINTI MOHAMMAD NIYAZ	19121A03D0	niyazshaik05@gmail.com
155	SHINGA PAVAN KALYAN REDDY	19121A03D2	singapavankalyanreddy60@gmail.com
156	SREERAMULA NARASIMHUDU	19121A03D4	snsimha021@gmail.com
157	SUNKESULA MAHAMMAD ASHRAF	19121A03D6	sunkesulaashraf143@gmail.com
158	PRANUSHA REDDY	19121A03D7	pranureddy81@gmail.com
159	SARIBALA TARAKANANDA REDDY	19121A03D8	tharaknandhamech@gmail.com
160	UPPALA JAYACHANDRA	19121A03E0	uppalajayachandra@gmail.com
161	UPPARA RAJASEKHAR	19121A03E1	urajasekhar650@gmail.com
162	VALLAGI. RAJ KUMAR	19121A03E2	vallagirajkumar@gmail.com
163	VALLIPAGU DINESH RAJA	19121A03E3	vallipagudineshraj24@gmail.com
164	CHETAN SAI.V	19121A03E5	chaitusairoyal@gmail.com
165	YAMBA MOUNIKA	19121A03E6	yambasuresh90@gmail.com
166	YAMPALLA MUNIPRASAD	19121A03E7	Muniprasad820@gmail.com


Dr. K.C. VARAPRASAD
 Professor & Head
 Dept. of Mechanical Engineering
 Sree Vidyanikethan Engineering College
 TIRUPATI - 517 102

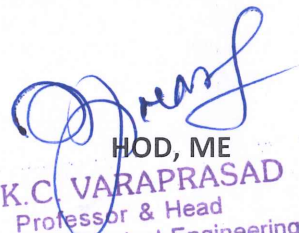
Sl No.	Student Name	Roll No.	Email ID
167	YARRAJINNALA SATHISH KUMAR	19121a03e8	kumar77sati@gmail.com
168	BANNOTH CHANDANA	19121a0519	chandanabannoth3@gmail.com
169	APPALA JAYACHAITANYA	19125A0301	appalajayachaitanya291@gmail.com
170	ARLE MALLIKARJUNA	19125A0302	mallikarjuna9100@gmail.com
171	BACHE SIVA KUMAR	19125A0303	sivakumarbache3@gmail.com
172	BALAGANI RAKESH	19125A0304	balaganirakesh11@gmail.com
173	BOORSU VENKATESH	19125A0305	bvenkateshvenky80@gmail.com
174	CHABALA SRIKANTH	19125A0306	chabalasrikanth@gmail.com
175	D REVANTH	19125a0308	revanth33342@gmail.com
176	D.RAJA HUDSAINI	19125A0309	dudekularajahussaini9100@gmail.com
177	G JYOTHIPRASAD	19125A0310	jyothiprasad921@gmail.com
178	GUDURU JAYA BHARGAV	19125a0312	gudurujayabhargav@gmail.com
179	ILURI NAGESWARA REDDY	19125a0313	nageswarareddy850@gmail.com
180	KARAMALLA.VEERA REDDY	19125a0315	veerareddyk234@gmail.com
181	KOLLA BABUPRASAD	19125a0316	kollababu13429@gmail.com
182	KOTHAPALLI RUKMANANDA REDDY	19125a0317	kothapallirukmanandhareddy1234@gmail.com
183	KURUVA GOVARDHAN	19125A0319	govardhandiploma@gmail.com
184	MARASANI MUNI AJAY	19125a0321	marasani.muniajay@gmail.com
185	MOHAMMED SAIFULLA	19125A0322	saifullaofficial@gmail.com
186	M BHARATH	19125A0324	blazingbharath143@gmail.com
187	MUDAVATH LALU SWAMY NAIK	19125a0325	laluswamysainik4@gmail.com
188	NADENDLA SREEHARSHA	19125A0328	harshanadendla15@gmail.com
189	N . JAYASANDEEP	19125a0329	neelamsandeep0909@gmail.com
190	P.VISHNU VARDHAN	19125A0331	vishnuvardhannani70@gmail.com


G. V. VARAPRASAD
 Professor & Head
 Dept. of Mechanical Engineering
 Sree Vidyankethan Engineering College
 TIRUPATI - 517 102

SI No.	Student Name	Roll No.	Email ID
191	PAKALA PAVAN KALYAN	19125A0332	pakalapavankalyan@gmail.com
192	PAMULA DINESH	19125A0334	pamuladinesh2001@gmail.com
193	PANDIKUNTA CHANDRA SEKHAR REDDY	19125A0335	chandrasedharssc89@gmail.com
194	MADHAN	19125A0336	madanreddy14322@gmail.com
195	P. NARENDRA KUMAR	19125A0337	polukanarendra1206@gmail.com
196	P.BALA MADDILETY	19125A0338	balaroyal786@gmail.com
197	S.PRASANTH	19125a0339	www.kprasanth0@gmail.com
198	SHAIK MAHAMMAD KASHIF	19125a0340	shaikkashif391@gmail.com
199	SHAIK MOHAMMED ARBAAZ	19125A0341	s.arbaaz7866@gmail.com
200	SHAMEER SUHAIL AHMED KHAN	19125a0342	suhailbsr@gmail.com
201	SWARNA SAI SANKAR	19125a0343	swarnasaisankar044@gmail.com
202	TIRUMALAI MADHAVAN	19125A0344	tirumalaimadhavan08@gmail.com
203	VADDE JAYACHANDRA	19125A0345	vaddejaya9@gmail.com
204	YEDDULA KUMAR	19125A0347	yeddulakumar36@gmail.com
205	BHEEMANABOYANA PRASANNA	20125A0302	bprasanna449@gmail.com
206	BUJULA DEVENDRA REDDY	20125A0303	devendrathrockstar@gmail.com
207	CHEMURU SAI KUMAR REDDY	20125A0304	chemuru.saikumar2724@gmail.com
208	GADDEGANESHKUMAR REDDY	20125A0307	gaddeganesh393@gmail.com
209	HOSURU MOHAN KULLAI SWAMY	20125A0308	mohanmicky1998@gmail.com
210	K.MOHAN BABU	20125A0309	mohanbabukorrapati@gmail.com
211	MAHENDRA KUMAR DHANUSH KUMAR	20125A0312	mahendradhanushkumar@gmail.com
212	ANEESHA MALEPATI	20125A0313	aneeshamalepati005@gmail.com
213	M DILLIBABU	20125A0314	dillibabumeluvalasa@gmail.com
214	P SAI VARUN	20125A0316	varunsai361@gmail.com


Dr. K.C. VARAPRASAD
 Professor & Head
 Dept. of Mechanical Engineering
 Sree Vidyanikethan Engineering College
 TIRUPATI - 517 102

Sl No.	Student Name	Roll No.	Email ID
215	P VAMSHI KRISHNA	20125A0317	vamshimech043@gmail.com
216	PALLA VENKATA SURENDRA	20125A0318	venkatasurendra.palla@gmail.com
217	SHIAK MAHABOOB SUBHANI	20125A0320	subhani.daddy@gmail.com
218	S.SRINIVASULU REDDY	20125A0321	srinivasulusiddi2000@gmail.com
219	V. BHUMIKA	20125A0322	bhumikabunny212@gmail.com
220	PAVANDIGUVAPALEM	20125A0323	pavandiguvapalem@gmail.com
221	D REDDY SEKHAR	20125A0324	reddyreddy20001@gmail.com
222	KATHI MUNI SAI KUMAR REDDY	20125A0327	saireddykathi65@gmail.com
223	KUTAGOLLA SHAHUL HAMEED	20125A0329	HAMEEDK1786@GMAIL.COM
224	M.NAVANEETH KUMAR	20125A0330	kumarnavaneeth26@gmail.com
225	P.MADHU BHARATH	20125A0331	madhubharath704@gmail.com
226	PULI.SIVA TEJA	20125A0333	puli.sivateja1432001@gmail.com

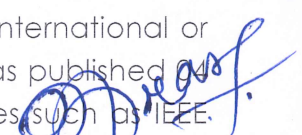

HOD, ME
Dr. K.C. VARAPRASAD
 Professor & Head
 Dept. of Mechanical Engineering
 Sree Vidyanikethan Engineering College
 TIRUPATI - 517 102

About the resource person

Dr.K.C.Varaprasad



Dr. K.C.Varaprasad graduated in B.Tech Mechanical Engineering from Sri Krishna Devaraya University, Ananthapur, Andhra Pradesh, India in the year 1999 and Post-Graduation in M.Tech in Production Engineering from Sri Venkateswara University, Tirupati, Andhra Pradesh, India in the year 2002. He received his Ph.D. from Jawaharlal Nehru Technological University Anantapur, Anantapuramu, Andhra Pradesh, India in the year 2011. Currently, he is working as Professor & Head, Department of Mechanical Engineering, Sree Vidyanikethan Engineering College, Tirupati, Andhra Pradesh, India. He is the founder Head of the Department of Mechanical Engineering. He established nearly 15 state-of-art laboratories with advanced technology equipment. He has got 18 years and 8 months of teaching and industrial experience. His research area of interest includes Micromachining, 3D Printing and Industry 4.0. He is having rich teaching experience in the subjects: Manufacturing Technology and Tool Design, Computer Aided Engineering Drawing, Manufacturing Technology, Machine Drawing, Machine Tools, Engineering Metrology, Tool Design, Industrial Engineering & Management, Elements of Production Drawing, Automation in Manufacturing, CAD/CAM, Mechatronics, Industrial Robotics, Instrumentation & Control Systems, Unconventional Machining Process, Hydraulics & , Pneumatics, Non Conventional Sources of Energy, Computer Integrated Manufacturing, Engineering Mechanics, Flexible Manufacturing Systems, Computer Integrated Manufacturing, Automation in Manufacturing, Mechatronics, Computer Aided Process Planning, CNC Technology & Programming. He is a professional member in various organizations: Life Member of Indian Society for Technical Education (MISTE)., Life Member of Institution of Engineers (INDIA) (MIE), Life Member of American Society of Mechanical Engineers (ASME), Life Member of Indian Institution of Production Engineers (IIPE), Life Member of Additive Manufacturing Society of India (AMSI), Life Member of Indian Science Congress Association (ISCA) and Life Member of Indian Welding Society (IWS) He is an Editorial Board Membership of Reviewer for international journal of mechanical computational and manufacturing research and reviewer team member of American Journal of Mechanical and Materials Engineering. In his career, he performed various roles like Head of the Department (ME), NBA Coordinator, NAAC Coordinator, Research Cluster Coordinator and Skill Development Center in-charge. He has presently guiding 03 Ph.D scholars. He has published more than 39 papers in International Journals and Conferences. He organized nearly 100+ academic oriented events for the students and faculty. He has attended more than 100 Workshops, Symposiums and Seminars. He has conducted/coordinated and acted as resource person in various International or National Conferences, Workshops, Symposiums and Seminars. He has published 04 Book Chapters. Some of his publications are listed in digital libraries such as IEEE, Xplorer, Elsevier Xplorer, Taylor & Francis, Scopus, SCI Indexed Journals.


Dr. K.C. VARAPRASAD
Professor & Head
Dept. of Mechanical Engineering
Sree Vidyanikethan Engineering College
TIRUPATI - 517 102

International Journal of Computer Applications in Engineering, Technology and Sciences (IJ-CA-ETS-ISSN: 0974-3596), International Journal of Engineering Research and Industrial Applications (I SSN: 0974-1518), International Journal of Mathematical Sciences and Engineering Applications (ISSN: 0973-9424), International Journal of Technology World, Malaysia, (ISSN 2180-0987), Trans Tech Publications, Switzerland, SAE International Journal of Materials and Manufacturing. He is a committed, dedicated and efficient administrator.



Dr. K.C. VARAPRASAD
Professor & Head
Dept. of Mechanical Engineering
Sree Vidyanikethan Engineering College
TIRUPATI - 517 102